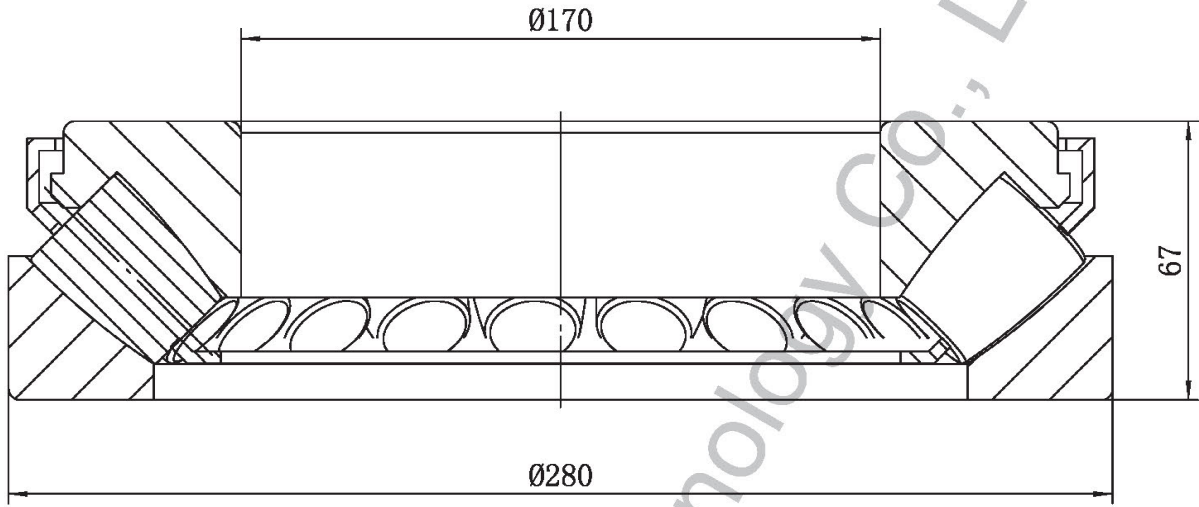


29334 E



- 1 rated load: Cr= 1200 KN ; Cor= 3550 KN ;
- 2 Heat treatment according to the current standards

Remark:

- 1. Luoyang JCB Bearing Technology Co., Ltd is a technical Inc, specialize in designing and manufacturing thrust bearing, we can design and manufacture all kinds of thrust bearing according to client's requirement.
- 2. This drawing is reference for user, if you need formal drawing, please contact with us sales@jcb-bearing.com, the official drawing will be submitted after order confirmation.



| | | | | | |
|---|--------------|-----|---------------------------|---|-------------|
| 07 | cage | | STEEL | | |
| 04 | roller | | steel GCr15-GB/T18254 | | |
| 02 | shaft washer | | steel GCr15SiMn-GB/T18254 | | |
| 01 | house washer | | steel GCr15SiMn-GB/T18254 | | Weight (kg) |
| serial | Name | Qty | Material | | 15.0 |
| | | | | | |
| | | | | | |
| | | | | | |
| | | | | | |
| | | | | | |
| | | | | | |
| Thrust spherical roller bearing | | | | <h2>29334 E</h2> | |
| | | | | Add: No.3 Lianmeng road, Luoyang, Henan,China. Postal: 471003 Website: www.jcb-bearing.com Phone: +86-379-68611678 www.sphericalrollerthrustbearing.com Fax: +86-379-68611679 E-mail: sales@jcb-bearing.com | |
| Luoyang JCB Bearing Technology Co., Ltd | | | | | |